

DWDM Lite™ OADM Brochure

Completely passive DWDM optical add/drop multiplexer. Add or drop 1 to 8 DWDM channels in either direction, all other DWDM channels (C-Band) pass through. Available as dual fiber or single fiber unit.

- Add / drop 1 to 8 channels east and west
- Dual fiber and single fiber units available
- Housed in 1-RMU (1.75 in height) shelf
- Rack Mountable in 19" or 23" racks
- Simple to install, requires no configuration
- Completely passive, no power required, no cooling
- Low insertion loss - high isolation
- Disassembles easily for cleaning
- Fully Universal (bidirectional operation on any port)
- Fully transparent to all protocols
- Accepts any data rate and on any port up to and including 10 Gbps
- High reliability, MTBF > 50 yrs
- Telcordia GR-1209 and GR1221 qualified
- ISO 9001 manufacturing

Applications

- Any equipment using 200 GHz or 100 GHz ITU-T transceivers
- SONET/SDH OC-3 to OC-768, STM-1 to STM-256
- Routers and Switches with optical DWDM interfaces
- GBIC, SFP, & XFP
- Xenpak
- Ethernet over fiber
- ATM over fiber
- and many more...

DWDM Lite™ 1-Channel OADM, Dual or Single Fiber

Specifications

| | |
|-----------------------------------|------------------------|
| Available Channels* | 100 GHz Channels |
| Channel Bandwidth (min) | 0.11 nm |
| East-West Insertion Loss (max) | 1.6 dB |
| Add/Drop Loss (max) | 1.0 dB |
| Isolation (min) | 28.0 dB |
| Polarization Dependent Loss (max) | 0.2 dB |
| Directivity (min) | 50.0 dB |
| Operating Temperature | -5° to +70° C |
| Product Code | TDAD-01CH-02-100-xx-cc |

DWDM Lite™ 1 Ch OADM, SC



DWDM Lite™ 2-Channel OADM, Dual or Single Fiber

Specifications

| | |
|-----------------------------------|---------------------------|
| Available Channels* | 100 GHz Channels |
| Channel Bandwidth (min) | 0.11 nm |
| East-West Insertion Loss (max) | 1.9 dB |
| Add/Drop Loss (max) | 1.5 dB |
| Isolation (min) | 28.0 dB |
| Polarization Dependent Loss (max) | 0.2 dB |
| Directivity (min) | 50.0 dB |
| Operating Temperature | -5° to +70° C |
| Product Code | TDAD-02CH-02-100-xx-yy-cc |

DWDM Lite™ 2 Ch OADM



DWDM Lite™ 4-Channel OADM, Dual or Single Fiber

Specifications

| | |
|-----------------------------------|---------------------------|
| Available Channels* | 100 GHz Channels |
| Channel Bandwidth (min) | 0.11 nm |
| East-West Insertion Loss (max) | 2.7 dB |
| Add/Drop Loss (max) | 1.8 dB |
| Isolation (min) | 28.0 dB |
| Polarization Dependent Loss (max) | 0.2 dB |
| Directivity (min) | 50.0 dB |
| Operating Temperature | -5° to +70° C |
| Product Code | TDAD-04CH-02-100-xx-yy-cc |

DWDM Lite™ 4 Ch OADM



DWDM Lite™ 8-Channel OADM, Dual or Single Fiber

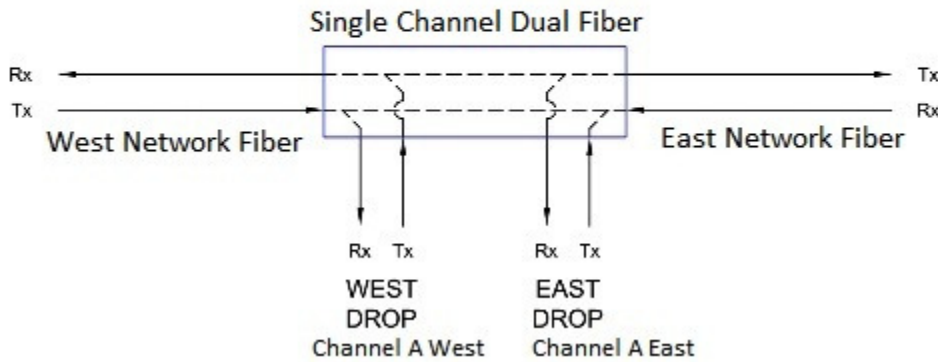
Specifications

| | |
|-----------------------------------|---|
| Available Channels* | 100 GHz Channels |
| Channel Bandwidth (min) | 0.11 nm |
| East-West Insertion Loss (max) | 3.8 dB |
| Add/Drop Loss (max) | 2.0 dB |
| Isolation (min) | 28.0 dB |
| Polarization Dependent Loss (max) | 0.2 dB |
| Directivity (min) | 50.0 dB |
| Operating Temperature | -5° to +70° C |
| Product Code | TDAD-08CH-02-100- <u>xx</u> - <u>yy</u> - <u>cc</u> |

DWDM Lite™ 8 Ch OADM



**DWDM
OPTICAL ADD/DROP
MODULE**



Notes

- xx First Avail. Wavelength: ITU Grid Channel #
- yy Last Avail. Wavelength: ITU Grid Channel #
- cc LCU: Ultra Polish dual LC
 SCU: Ultra Polish SC *may not be available
 FCU: Ultra Polish FC *may not be available

For more information or a quote, call a Customer Representative at 1.888.250.1562